

STAR CONSTRUCTION — RIGGING

RIGGING (BACKSTAY, FORESTAY & SIDE STAYS)

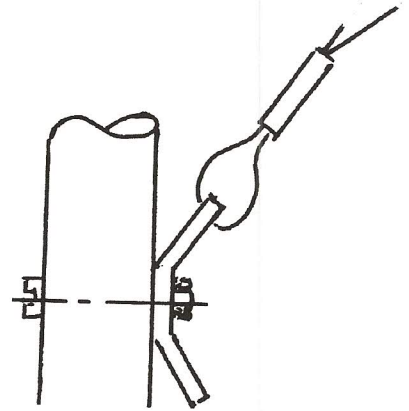
All rigging is made from 45lb. Berkley Steelon Nylon Coated Wire and #3 crimp sleeves.

This is available from Fishermans Quarters in Dayton.

Typically a boat will require (2) 30 ft. packages of wire and (2) packages of #3 sleeves.

ASSEMBLY TECHNIQUE

- 1) Place sleeve on wire.
- 2) Place wire thru item to be attached.
- 3) Loop wire back thru sleeve.
- 4) Pull sleeve snug to the item and double crimp (3) places.



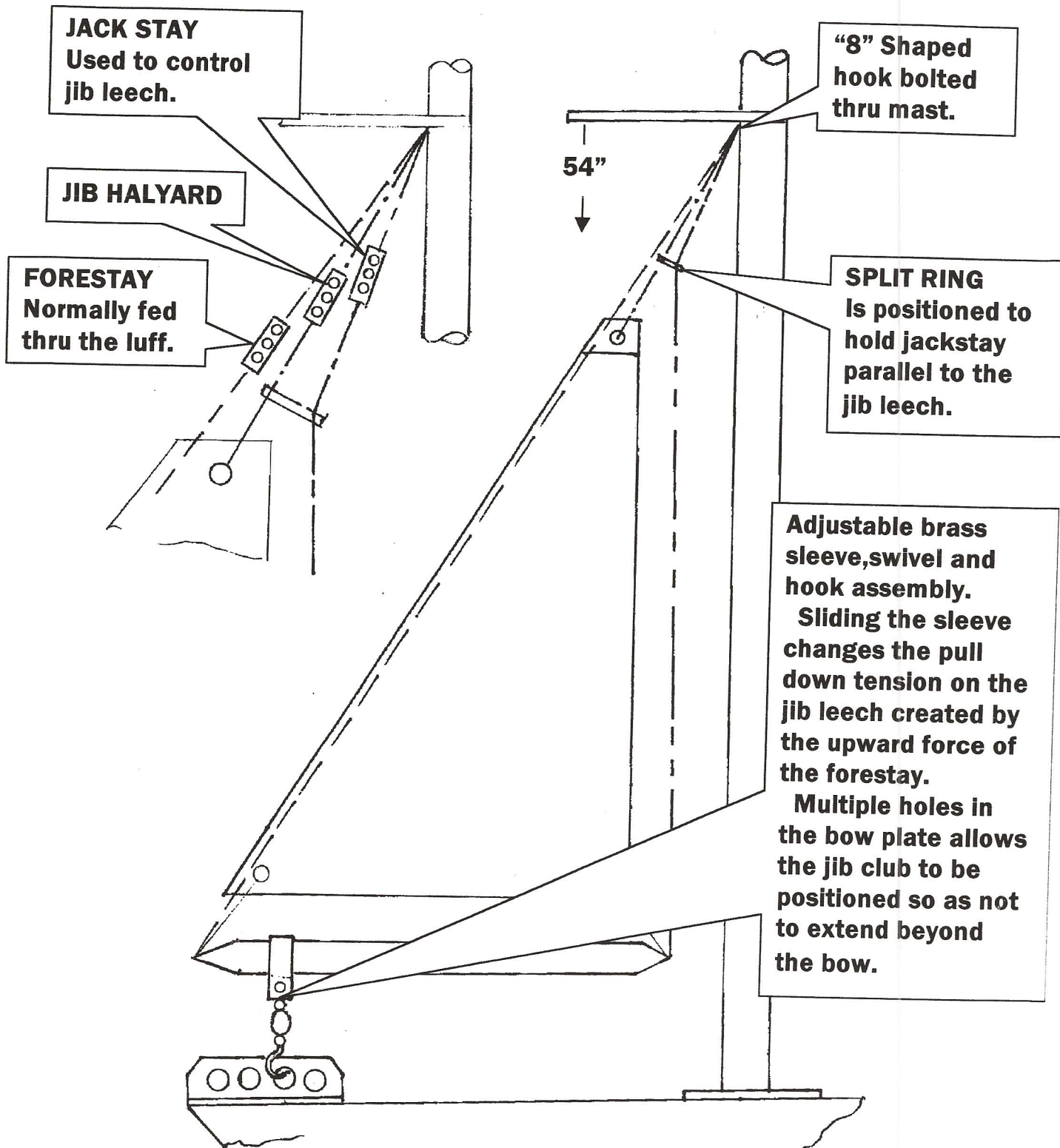
Double crimp means to :

Mash the sleeve flat at (3) places. (Each end and in the middle at 90 degrees to each other)

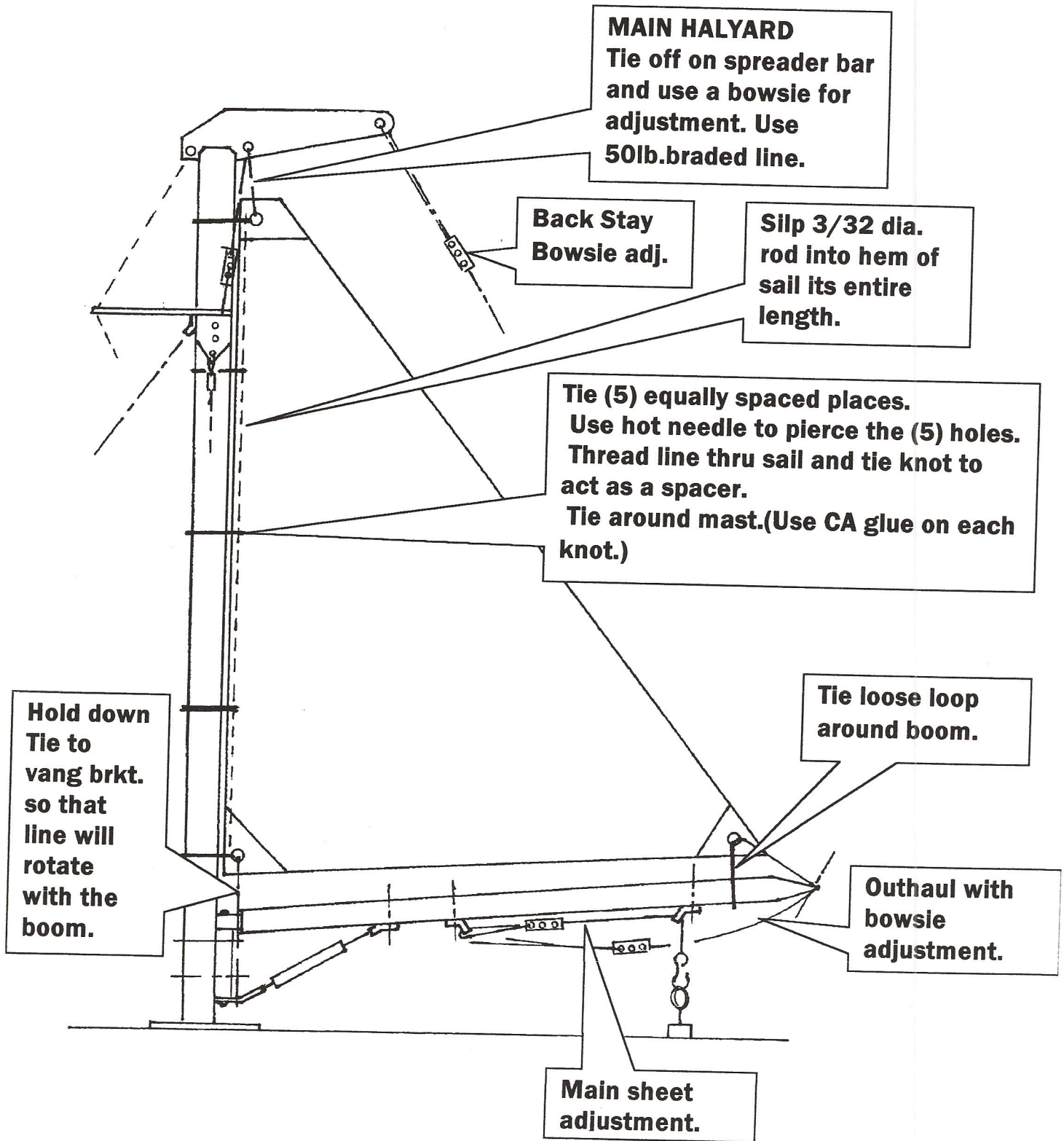
Carefully recrimp each flattened area with sharp cutoff snips. (Avoid cutting thru the sleeve.)

TIP— To improve appearance and and reduce snagging, it is advisable to cover the crimped sleeve with 3/32 dia. heat shrink tubing.

STAR CONSTRUCTION — JIB RIGGING



STAR CONSTRUCTION — MAIN RIGGING



STAR CONSTRUCTION — SIDE STAYS

