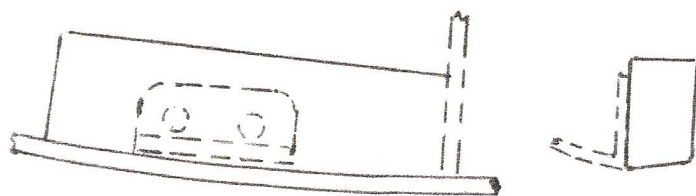
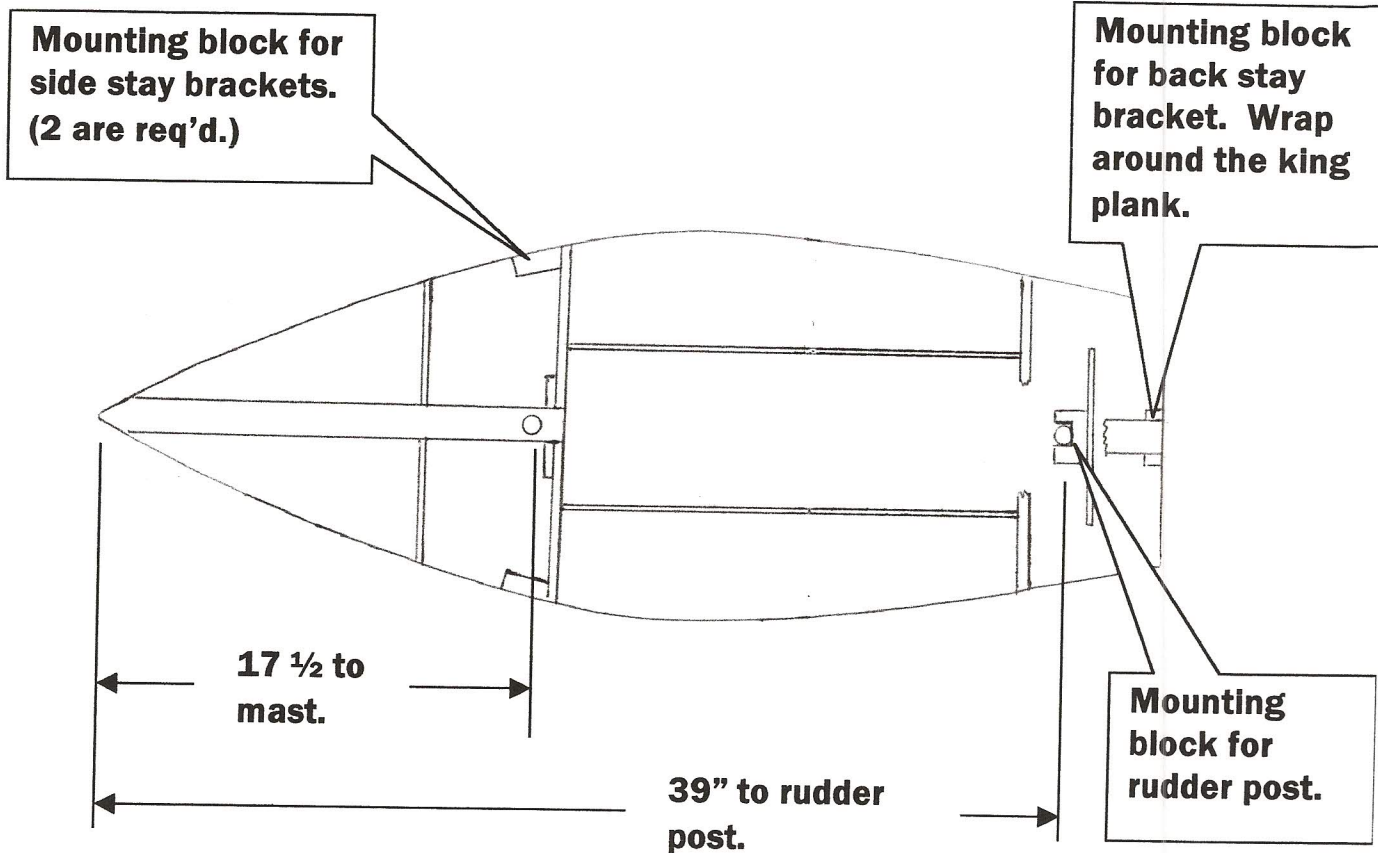


# STAR CONSTRUCTION — HULL MTG. BLOCKS (Deck Hwd. & Rudder)

The purpose of mounting blocks is to provide material to hold screws.



**Mounting block for side stay brackets.**  
(Sand to fit against the #2 frame and the shape of the hull. Glue both surfaces.)

Approx. actual size is shown.

Typically, this brk't. is mounted opposite the mast.