

# **STAR CONSTRUCTION — DECK INSTALLATION**

**( PRIOR TO HAVING ANY THRU-DECK TUBING INSTALLED)**

## **PREPERATION FOR GLUING (BEFORE TUBES HAVE BEEN INSTALLED.)**

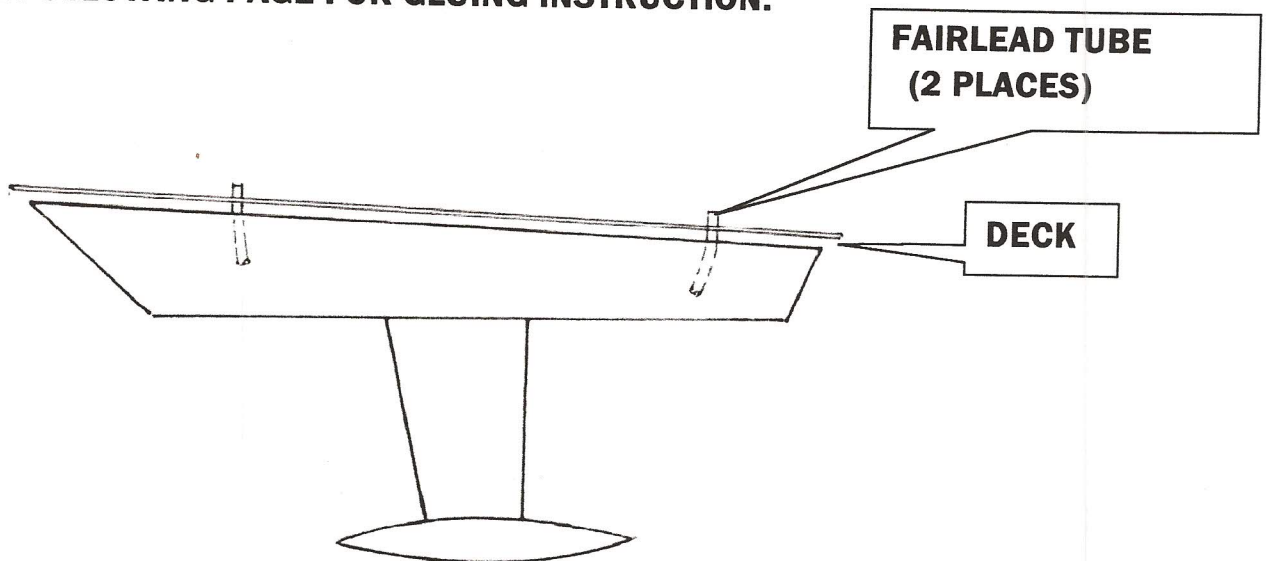
The deck , as produced by SKID-DO IND., has only minimal trim stock around the edge. This reduces the trim time after the deck is installed.

Because of this, the deck must be accurately located on the hull during the gluing operation to assure adequate trim stock all around.

Follow these steps:

- 1) Lay a new deck flat on the hull.
- 2) Locate deck to assure even trim stock all around and securely tape into position.
- 3) On the deck, lay out the location of the two 1/8 dia. holes thru which the jib & main fairlead tubes will pass. (These locations are shown on the "HULL LAYOUT" sheet in this booklet.)
- 4) Drill the two 1/8 dia. holes thru the deck and the king plank beneath it.
- 5) Remove the deck from the hull and lay it aside.
- 6) Install the two fairlead tubes as shown elsewhere in this booklet.
- 7) Place the deck back on the hull with the two tubes passing thru it..
- 8) Check that there is adequate trim stock all around. If not, it will be necessary to slightly enlarge or elongate the holes in the deck to allow the deck to be shifted .

**SEE FOLLOWING PAGE FOR GLUING INSTRUCTION.**



# **STAR CONSTRUCTION — DECK INSTALLATION**

**(WHEN FAIRLEAD TUBES EXTEND THRU THE DECK)**

## **PREPERATION FOR GLUING (AFTER FAIR LEAD TUBES HAVE BEEN INSTALLED)**

The deck, as produced by SKID-DO IND, has only minimal trim stock around the edge. This reduces the trim time after the deck is installed.

Because of this the deck must be accurately located on the hull during the gluing operation to assure adequate trim stock all around.

This is done by using the two brass tubes (for the main & jib fairleads) as guide pins. These tubes, when finished will pass slightly thru the deck and have the fairleads attached.

Use the following steps to assemble the deck:

- 1) Tape the deck down on the hull at several places making certain that there is clean-up stock all around. (The deck will bend over the tops of the tubes.)
- 2) Untape the forward 1/3<sup>rd</sup>. of the deck and prop it up approx. 3/4 of an inch.
- 3) Reach in under the deck with an art brush and put a dab of paint on the top of the tube.
- 4) Lower the deck back down onto the hull and retape it.
- 5) Do the same to the aft portion of the deck.
- 6) Release the deck from the hull and note that there are two paint marks on the underside of the deck.
- 7) Drill a 3/32 dia. hole at each of the paint marks to clear the 1/8 dia. tubes and reinstall the deck and check for fit.

**SEE NEXT PAGE FOR GLUING INSTRUCTION.**

