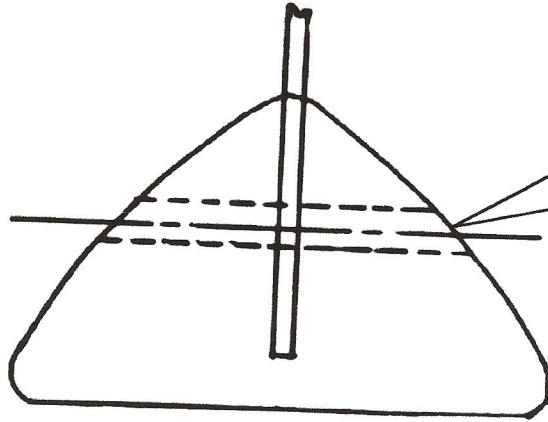
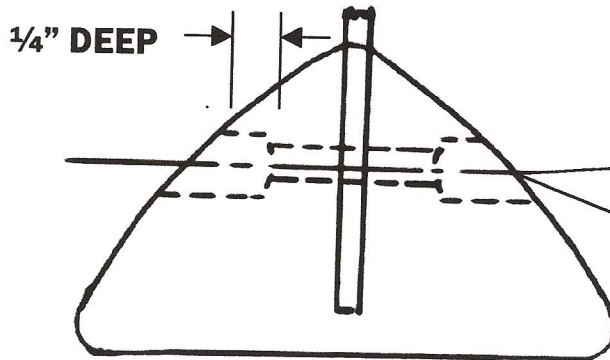


# STAR CONSTRUCTION — BULB W/SCREWS

USE 8-32 FLAT HEAD SCREWS (3" LONG)

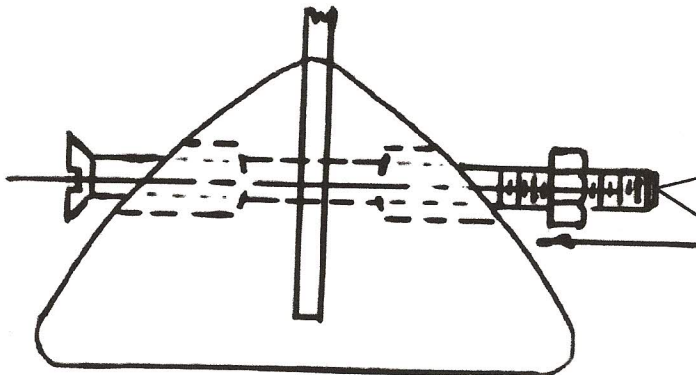


DRILL  $13/64$  DIA. HOLE THRU THE BULB ONLY. (DRILL A  $3/16$  DIA. HOLE THRU THE KEEL WHEN MOUNTING THE BULB.)

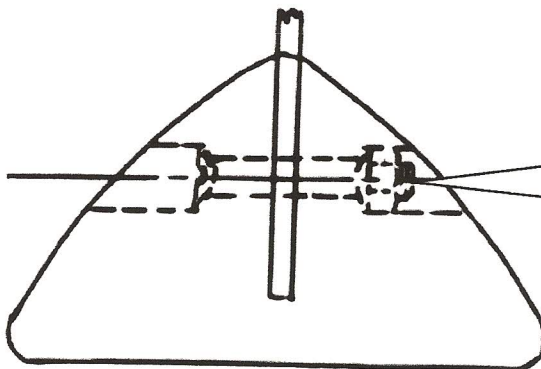


DRILL THIS SIDE TO  $3/8$  DIA. THIS WILL ALLOW THE FLATS ON THE NUT TO CUT THEIR WAY INTO THE HOLE AND KEEP THE NUT FROM TURNING.

DRILL THE OPPOSITE END ALSO TO  $3/8$  DIA. TO CLEAR THE HEAD.



ASSEMBLE SCREW & NUT AS SHOWN. TAP THE END OF THE SCREW AND DRIVE THE NUT INTO THE HOLE UNTIL IT BOTTOMS.



CUT-OFF THE SCREW SO THAT IT IS BELOW THE SURFACE AND FILL BOTH SIDES WITH "BONDO" AFTER ASSEMBLY TO THE KEEL.